



CG0016

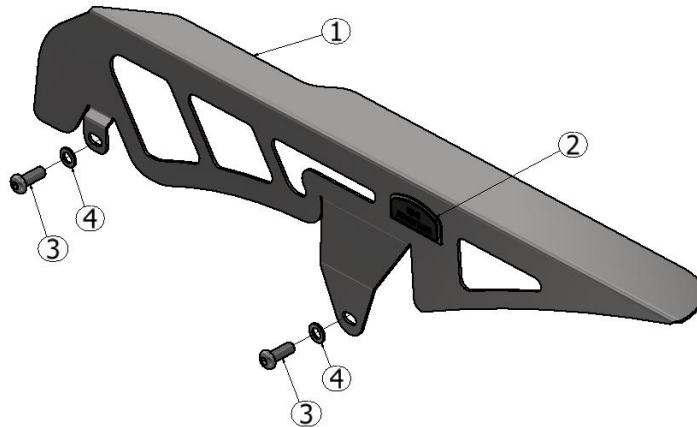
FITTING INSTRUCTIONS FOR CG0016 CHAIN GUARD
SUZUKI V-STROM 250 2017-



THIS KIT CONTAINS THE ITEMS PICTURED AND LABELLED BELOW.
DO NOT PROCEED UNTIL YOU ARE SURE ALL PARTS ARE PRESENT.

Please note that the way the kit is packed does not necessarily represent the way of mounting to the bike.

THE PARTS SHOWN MAY BE REPRESENTATIVE ONLY (FOR CLARITY OF INSTRUCTIONS ONLY)



LEGEND

- ITEM 1 = R&G CHAIN GUARD (SMW0118) (x1)
- ITEM 2 = R&G ADVENTURE LOGO (*pre-fitted*) (x1)
- ITEM 3 = M6 x 15mm LONG BUTTON HEAD BOLT (x2)
- ITEM 4 = M6 WASHER (x2)



CG0016

TOOLS REQUIRED

- 4 & 5mm metric allen key

FITTING INSTRUCTIONS

- Remove the two bolts that secure the OEM chainguard in place and remove from the bike.
- Take the R&G Chainguard (item 1) and offer it into place on the bike the same way as the OEM chainguard was removed.
- If not already fitted, apply a small amount of glue to the back of R&G adventure logo (the face with full silver colour) and locate it in position as shown in exploded diagram on page 1.
- Fit the two new bolts (item 3) with washers (item 4) through the two mounting points of R&G chainguard (item 1) and tighten into the threaded bosses on the swingarm.
- Ensure the chainguard is correctly fitted before fully tightening both bolts.
- Please ensure the chain will not hit the chain guard in operation.

ISSUE 1 15/01/2018 (HH)

CONSUMER NOTICE

The catalogue description and any exhibition of samples are only broad indications of the Products and R&G may make design changes which do not diminish their performance or visual appeal and supplying them in such state shall conform to the order. The Buyer acknowledges no representation or warranty (other than as to title) has been given or will apply to the Products other than those in R&G's order or confirmation and the Buyer confirms it has chosen the Products as being of merchantable quality and suitable for its particular purposes. Where R&G fits the Products or undertakes other services it shall exercise reasonable skill and care and rectify any fault free of charge unless the workmanship has been disturbed. The Buyer is responsible for ensuring that the warranty on the motorcycle is not affected by the fitting of the Products. On return of any defective Products R&G shall at its option either supply a replacement or refund the purchase money but shall not be liable if the Products have been modified or used or maintained otherwise than in accordance with R&G's or manufacturer's instructions and good engineering practice or if the defect arises from accident or neglect. Other than identified above and subject to R&G not limiting its liability for causing death and personal injury, it shall not be liable for indirect or consequential loss and otherwise its liability shall be limited to the amounts paid by the Buyer for the Products or the fitting or service concerned. These terms do not affect the Buyer's statutory rights.

R&G RETURNS POLICY (NON-FAULTY GOODS)

Returns must be pre-authorized (if not pre-authorized the return will be rejected). Goods may only be returned direct to us if they were purchased direct from us (customer must prove if necessary). Otherwise to be returned to original vendor. Goods must be in re-sellable condition, in the opinion of R&G. All returns are subject to a 25% restocking and handling fee (25% of the gross value exc. P&P – at the prevailing price at time of purchase). The customer must pay any and all carriage charges. No returns of discontinued products, unless within 14 days of purchase. This policy does not affect your statutory rights and does not refer to faulty goods.

R&G

Unit 1, Shelley's Lane, East Worldham, Alton, Hampshire, GU34 3AQ

Tel: +44 (0)1420 89007 Fax: +44 (0)1420 87301 www.rg-racing.com Email: info@rg-racing.com



CG0016

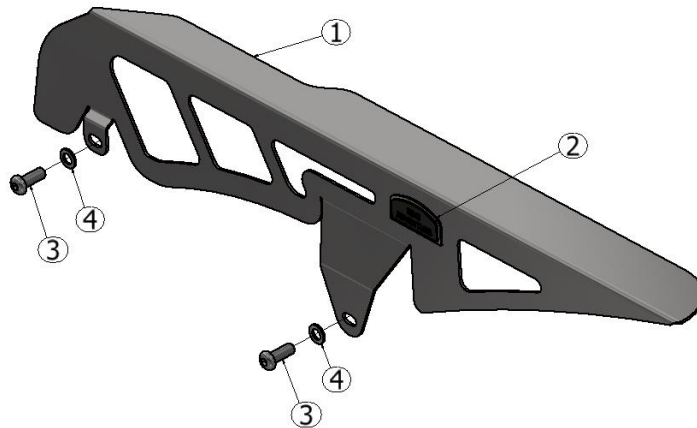
NOTICE DE MONTAGE POUR CG0016 PROTECTION CHAÎNE
SUZUKI V-STROM 250 2017-



Le kit contient les articles exposés ci-dessous, vérifier que toutes les pièces soient présentes avant de procéder au montage.

La façon dont le kit est emballé ne correspond pas forcément à la façon de monter les pièces sur la moto.

LES PARTIES PRÉSENTÉES PEUVENT ÊTRE UNIQUEMENT REPRÉSENTATIVES
(POUR LA CLARTE DES INSTRUCTIONS UNIQUEMENT)



LÉGENDE

ARTICLE 1 = PROTECTION CHAÎNE R&G (SMW0118) (x1)

ARTICLE 2 = LOGO R&G AVENTURE (*prémonté*) (x1)

ARTICLE 3 = M6 x 15mm BOULON (x2)

ARTICLE 4 = M6 RONDELLE (x2)

R&G

Unit 1, Shelley's Lane, East Worldham, Alton, Hampshire, GU34 3AQ

Tel: +44 (0)1420 89007 Fax: +44 (0)1420 87301 www.rg-racing.com Email: info@rg-racing.com



CG0016

OUTILS REQUIS

- Clés Allen 4 & 5mm

NOTICE DE MONTAGE

- Enlever les 2 boulons qui fixent la protection chaîne d'origine en place puis enlevez les de la moto.
- Prendre la protection chaîne R&G (article 1) et montez la en position sur la moto de la même façon que la protection chaîne d'origine a été enlevée.
- Si cela n'est pas déjà fait, appliquer un peu de glue au bas du logo R&G Adventure (la face complètement argentée) et placez la en position, voir schéma en page 1.
- Insérer les 2 nouveaux boulons (article 3) avec rondelles (article 4) dans les 2 points de fixation de la protection chaîne R&G (article 1) puis serrer dans les trous filetés du bras oscillant.
- Veiller à ce que la protection chaîne soit correctement montée avant de serrer les 2 boulons.
- Veiller à ce que la chaîne ne puisse pas toucher la protection chaîne lors du fonctionnement de la moto.

ISSUE 1 15/01/2018 (HH)

CONSUMER NOTICE

The catalogue description and any exhibition of samples are only broad indications of the Products and R&G may make design changes which do not diminish their performance or visual appeal and supplying them in such state shall conform to the order. The Buyer acknowledges no representation or warranty (other than as to title) has been given or will apply to the Products other than those in R&G's order or confirmation and the Buyer confirms it has chosen the Products as being of merchantable quality and suitable for its particular purposes. Where R&G fits the Products or undertakes other services it shall exercise reasonable skill and care and rectify any fault free of charge unless the workmanship has been disturbed. The Buyer is responsible for ensuring that the warranty on the motorcycle is not affected by the fitting of the Products. On return of any defective Products R&G shall at its option either supply a replacement or refund the purchase money but shall not be liable if the Products have been modified or used or maintained otherwise than in accordance with R&G's or manufacturer's instructions and good engineering practice or if the defect arises from accident or neglect. Other than identified above and subject to R&G not limiting its liability for causing death and personal injury, it shall not be liable for indirect or consequential loss and otherwise its liability shall be limited to the amounts paid by the Buyer for the Products or the fitting or service concerned. These terms do not affect the Buyer's statutory rights.

R&G RETURNS POLICY (NON-FAULTY GOODS)

Returns must be pre-authorized (if not pre-authorized the return will be rejected). Goods may only be returned direct to us if they were purchased direct from us (customer must prove if necessary). Otherwise to be returned to original vendor. Goods must be in re-sellable condition, in the opinion of R&G. All returns are subject to a 25% restocking and handling fee (25% of the gross value exc. P&P – at the prevailing price at time of purchase). The customer must pay any and all carriage charges. No returns of discontinued products, unless within 14 days of purchase. This policy does not affect your statutory rights and does not refer to faulty goods.

R&G

Unit 1, Shelley's Lane, East Worldham, Alton, Hampshire, GU34 3AQ

Tel: +44 (0)1420 89007 Fax: +44 (0)1420 87301 www.rg-racing.com Email: info@rg-racing.com



CG0016

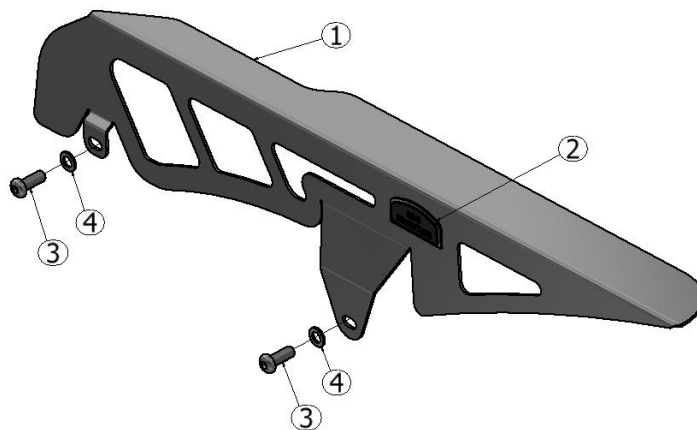
MONTAGEANLEITUNG FÜR CG0016 KETTENSCHUTZ
SUZUKI V-STROM 250 2017-



ALLE TEILE SIND UNTEN ABGEBILDET UND GEKENNZEICHNET. BEVOR SIE MIT DER MONTAGE BEGINNEN, ÜBERPRÜFEN SIE, DASS ALLE TEILE VORHANDEN SIND.

Hinweis: Die Verpackung der Teile stellt nicht die Reihenfolge der Montage dar.

DIE UNTEN ABGEBILDETEN TEILE DIENEN LEDIGLICH ZUR ERKLÄRUNG



LIEFERUMFANG

- ARTIKEL 1 = R&G KETTENSCHUTZ (SMW0118) (x1)
- ARTIKEL 2 = R&G ADVENTURE LOGO (vormontiert) (x1)
- ARTIKEL 3 = M6 x 15mm INBUSSCHRAUBE (x2)
- ARTIKEL 4 = M6 UNTERLEGSCHIEBE (x2)



CG0016

SIE BENÖTIGEN FOLGENDES WERKZEUG:

- 4 & 5mm Inbusschlüssel

MONTAGEANLEITUNG

- Entfernen Sie die zwei Schrauben, die den Originalkettenschutz in Position befestigen und entfernen Sie den Originalkettenschutz vom Motorrad.
- Den R&G Kettenschutz (Artikel 1) in Position bringen (wie bei der Entfernung des original Kettenschutzes).
- Wenn nicht bereits vormontiert, eine kleine Menge Sekundenkleber auf der Rückseite des R&G Adventure Logos (das Gesicht komplett in der Farbe Silber) und dies in Position fixieren wie in der Explosionszeichnung auf Seite 1 abgebildet.
- Führen Sie die zwei neuen Schrauben (Artikel 3), die mit Unterlegscheiben (Artikel 4) versehen sind, in die zwei Montagepunkte am R&G Kettenschutz (Artikel 1) ein, und diese in die Gewindeinsätze an der Schwinge befestigen.
- Überprüfen Sie, dass der Kettenschutz ordnungsgemäß montiert ist, bevor Sie beide Schrauben festziehen.
- Bitte sicherstellen, dass der Kettenschutz nicht von der Kette berührt wird, wenn das Motorrad in Betrieb ist.

AUSGABE 1 15/01/2018 (HH)

CONSUMER NOTICE

The catalogue description and any exhibition of samples are only broad indications of the Products and R&G may make design changes which do not diminish their performance or visual appeal and supplying them in such state shall conform to the order. The Buyer acknowledges no representation or warranty (other than as to title) has been given or will apply to the Products other than those in R&G's order or confirmation and the Buyer confirms it has chosen the Products as being of merchantable quality and suitable for its particular purposes. Where R&G fits the Products or undertakes other services it shall exercise reasonable skill and care and rectify any fault free of charge unless the workmanship has been disturbed. The Buyer is responsible for ensuring that the warranty on the motorcycle is not affected by the fitting of the Products. On return of any defective Products R&G shall at its option either supply a replacement or refund the purchase money but shall not be liable if the Products have been modified or used or maintained otherwise than in accordance with R&G's or manufacturer's instructions and good engineering practice or if the defect arises from accident or neglect. Other than identified above and subject to R&G not limiting its liability for causing death and personal injury, it shall not be liable for indirect or consequential loss and otherwise its liability shall be limited to the amounts paid by the Buyer for the Products or the fitting or service concerned. These terms do not affect the Buyer's statutory rights.

R&G RETURNS POLICY (NON-FAULTY GOODS)

Returns must be pre-authorized (if not pre-authorized the return will be rejected). Goods may only be returned direct to us if they were purchased direct from us (customer must prove if necessary). Otherwise to be returned to original vendor. Goods must be in re-sellable condition, in the opinion of R&G. All returns are subject to a 25% restocking and handling fee (25% of the gross value exc. P&P – at the prevailing price at time of purchase). The customer must pay any and all carriage charges. No returns of discontinued products, unless within 14 days of purchase. This policy does not affect your statutory rights and does not refer to faulty goods.

R&G

Unit 1, Shelley's Lane, East Worldham, Alton, Hampshire, GU34 3AQ

Tel: +44 (0)1420 89007 Fax: +44 (0)1420 87301 www.rg-racing.com Email: info@rg-racing.com